



10231 Rose Blvd.  
Morrice, Michigan 48857

**517-625-4590**

# AHP Series

# Hydraulic Power Units

## Unique Technology

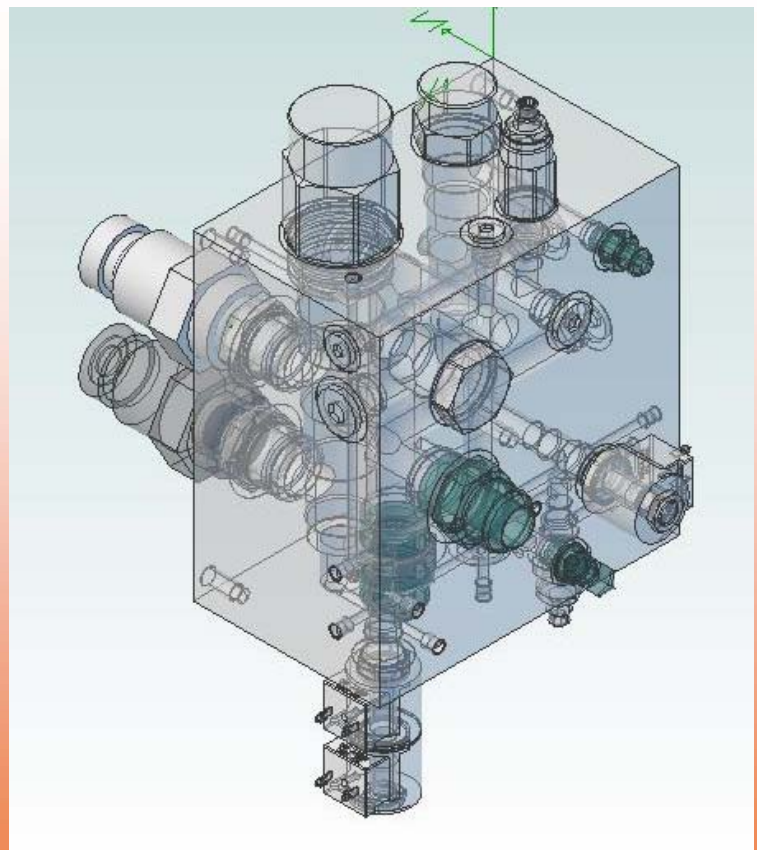
- ◆ The Only Power Unit on the Market Offering Reversible Flow
- ◆ Pressure and Flow for the Auxiliary Function Circuits Supplied by Secondary Hydraulic Pump. This Means the Main Hydraulic Flow Powering the Attachment Motor and the Auxiliary Functions will not Affect Each Other During Operation.
- ◆ Auxiliary Hydraulic Manifold Allow for up to Three (3) Auxiliary Functions to Operated Simultaneously. Our Manifold Supports both Standard “On / Off” Directional Control Valves as Well Proportional Control Valves.

### **Single Manifold Hydraulic System:**

**Combines all Hydraulic Control Functions into a Single, Compact Unit Virtually Eliminating Hydraulic Oil Leaks and Offering Greater Circuit Versatility / Customization Through Add-On Function Cartridges.**

#### **Functions Controlled by Manifold:**

- ◆ Flow to Driven Attachment
- ◆ Flow From Driven Attachment
- ◆ System Pressure Relief
- ◆ System Pressure Port for Relief Setting
- ◆ Safety Bypass Valve
- ◆ Pressure Dump Valve





10231 Rose Blvd.  
Morrice, Michigan 48857

**517-625-4590**

# AHP Series

# Hydraulic Power Units

