



10231 Rose Blvd.
Morrice, Michigan 48857

517-625-4590

AHP Series

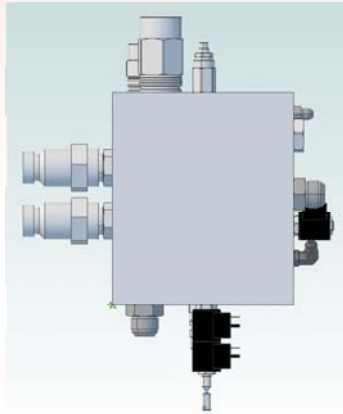
Hydraulic Power Units

SF Models — One Way Flow

RF Models — Two Way Flow: Directional Flow Control

Single Manifold Hydraulic System:

Combines all Hydraulic Control Functions into a Single, Compact Unit Virtually Eliminating Hydraulic Oil Leaks and Offering Greater Circuit Versatility / Customization Through Add-On Function Cartridges



Standard Features:

- ◆ Pressure Relief Protection
- ◆ Hydraulic Oil Cooler
- ◆ Return Line Oil Filtration
- ◆ PTO Driven Pump via Drive Shaft
- ◆ Residual Pressure Dump Circuit
- ◆ Pressure Monitoring Gauge

MODEL	GPM	SYSTEM PRESSURE	FLOW	LIST PRICE
AHP30-SF	Up To 20 GPM	3,000 PSI	One Way	\$5,875
AHP40-SF	Up To 32 GPM	3,000 PSI	One Way	\$5,975
AHP30-RF	Up to 20 GPM	3,000 PSI	Reversible	\$7,275
AHP40-RF	Up to 32 GPM	3,000 PSI	Reversible	\$7,375



10231 Rose Blvd.

Morrice, Michigan 48857

517-625-4590

AHP Series

Hydraulic Power Units

