



10231 Rose Blvd.
Morrice, Michigan 48857

517-625-4590

SHP Series

Backhoe Thumbs

Shared Bucket Pivot Pin Style Backhoe Thumbs

Mechanical and Hydraulic Thumb Indexing

SHP Series Thumb Features:

- Shared Pivot Thumbs Follow the Exact Geometry of the Bucket, Thus the Thumb Tip and Bucket Tip are Always Meshed
- Thumbs are Specifically Engineered to Mesh with the Backhoe Bucket Digging Teeth
- Add the Hydraulic Positioning Kit onto a Mechanical Thumb at ANY Time.
- Abrasion Resistant Steel Construction Resists Wear



Standard Features:

- ◆ Four (4) Positions for Mech. Thumb
- ◆ Storage Position Against Dipper Stick
- ◆ Grease-Able Main Pivot Bushings
- ◆ Replacement Main Pivot Pin
- ◆ Zinc Plated Pins

MODEL	ACTUATION	FITS KIOTI MODELS	SETTING TYPE	LIST PRICE
BT75-SHPM	MECHANICAL	KB2465 / 2475	PIN POS.	\$750
BT85-SHPM	MECHANICAL	KB2485	PIN POS.	\$775
BT75-SHPH	HYDRAULIC	KB2465 / 2475	HYD. FOOT PEDAL	\$1,450
BT85-SHPH	HYDRAULIC	KB2485	HYD. FOOT PEDAL	\$1,475
HYD. ADD-ON	ADD-ON FOR MECH.	ALL	HYD. FOOT PEDAL	\$895



10231 Rose Blvd.

Morrice, Michigan 48857

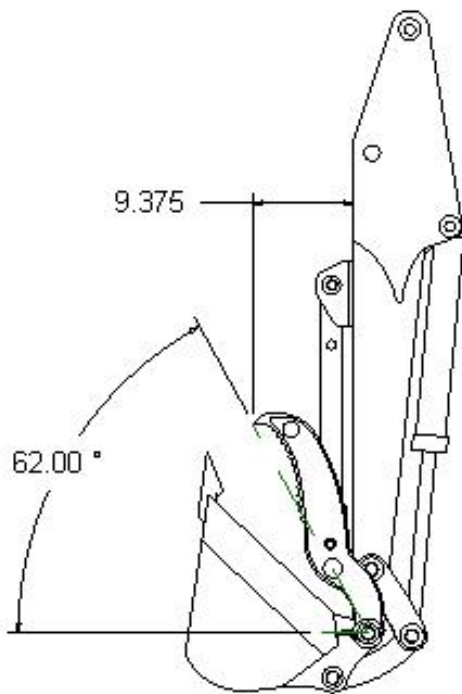
517-625-4590

SHP Series

Backhoe Thumbs

BT75 / 85 Thumb Data

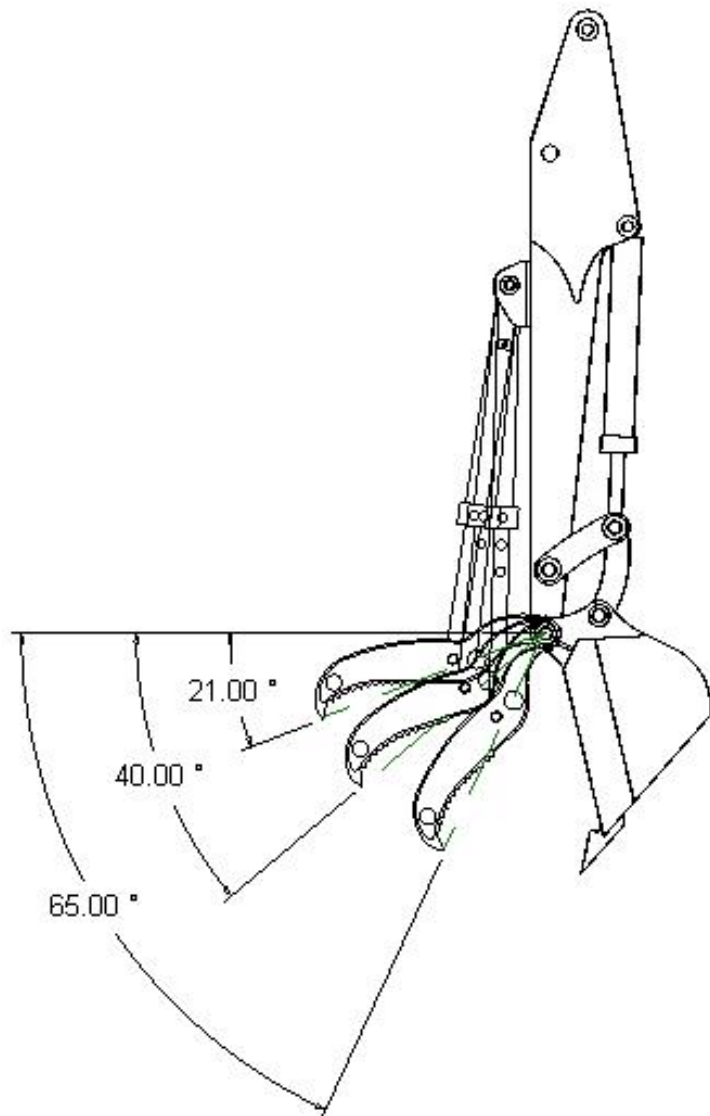
Storage / Indexing Schedule



BT-SHP Series Storage

NOTE:

Thumb Width is 9.500"



BT-SHP Series Positions A1 - A3